


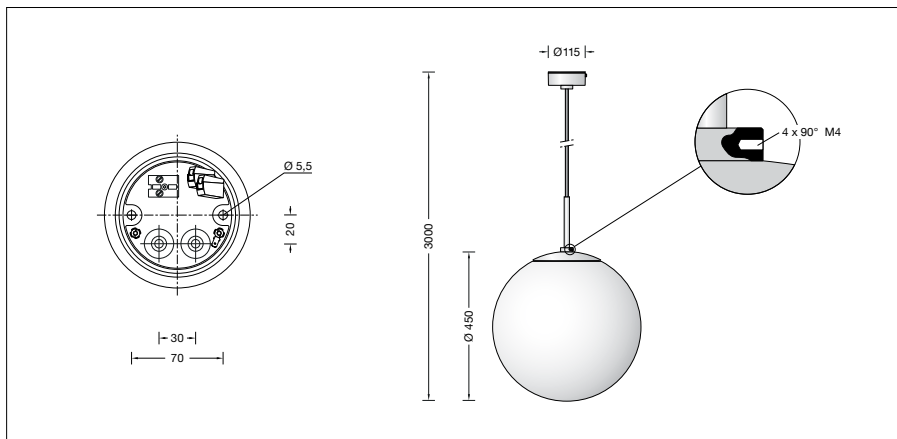
BEGA**24 130**

Pendant luminaire

 05 IP 64

Project · Reference number

Date



Product data sheet

Application

Pendant luminaire with unshielded light for mounting in arcades, galleries and passageways. When installed in exterior applications, the luminaire must be protected from constant pendulum movement due to wind.

Lamp

Module connected wattage	34.2 W
Luminaire connected wattage	38.1 W
Rated temperature	$t_a = 25\text{ °C}$
Ambient temperature	$t_{a\text{ max}} = 40\text{ °C}$

24 130 K3

Module designation	6x LED-0884/830
Colour temperature	3000 K
Colour rendering index	CRI > 80
Module luminous flux	6870 lm
Luminaire luminous flux	5796 lm
Luminaire luminous efficiency	152,1 lm/W

24 130 K4

Module designation	6x LED-0884/840
Colour temperature	4000 K
Colour rendering index	CRI > 80
Module luminous flux	7050 lm
Luminaire luminous flux	5948 lm
Luminaire luminous efficiency	156,1 lm/W


Ratio of luminous flux

Luminous flux upper half-space	44,7 %
Luminous flux lower half-space	55,3 %

BUG rating according to IES TM-15-07:
2-5-3

CEN Flux Code according to EN 13032-2:
25-51-76-55-100-20-45-71-45

Product description

Luminaire made of aluminium alloy, aluminium and stainless steel
BEGA Unidure® coating technology
Colour white
White synthetic sphere
Silicone gasket
4 drilled holes with thread M4 to which tension cables preventing pendulum movement can be fixed
Cable pendant H05RN-F 5 G 1[□] with 2 steel cords · Colour black
Overall length of luminaire approx. 3000 mm
Mounting plate with 2 fixing holes \varnothing 5.5 mm · 70 mm spacing
2 cable entries for through-wiring of mains supply cable \varnothing 7-10.5 mm, max. 5 G 1.5[□]
Connecting terminal 2.5[□] with plug connection
Earth conductor connection
BEGA Ultimate Driver®
LED power supply unit
220-240 V \sim 0/50-60 Hz
DC 176-264 V
DALI-controllable
Number of DALI addresses: 1
Basic insulation is provided between the mains and control cables
BEGA Thermal Control®
Temporary thermal regulation to protect temperature-sensitive components without switching off the luminaire
Safety class I
Protection class IP 64
Dust-tight and protection against splash water
Impact strength IK10
Protection against mechanical impacts < 20 joule
 - Safety mark
CE - Conformity mark
Weight: 4.4 kg
This product contains light sources of energy efficiency class(es) C

Inrush current

Inrush current: 5 A / 100 μ s
Maximum number of luminaires of this type per miniature circuit breaker:
B 10A: 28 luminaires
B 16A: 45 luminaires
C 10A: 28 luminaires
C 16A: 48 luminaires

Service life · Ambient temperature

Rated temperature $t_a = 25\text{ °C}$	
LED psu:	> 50,000 h
LED module:	> 200,000 h (L 80 B 50) 100,000 h (L 90 B 50)

Ambient temperature max. $t_a = 40\text{ °C}$ (100 %)	
LED psu:	50,000 h
LED module:	170,000 h (L 80 B 50)

Ambient temperature max. $t_a = 50\text{ °C}$ (75 %)	
LED psu:	> 50,000 h
LED module:	> 50,000 h (L 70 B 50)

BEGA Thermal Control® protects temperature-sensitive luminaire components by temporarily limiting the nominal power at high temperatures.

Article No. 24 130

LED colour temperature optionally 3000 K or 4000 K
3000 K – Article number + **K3**
4000 K – Article number + **K4**

Light distribution