



HF-Selectalume II for TL-D lamps

HF-S 258 TL-D II 220-240V 50/60Hz

HF-Selectalume II TL-D is the most cost-effective, reliable and outstanding solution for fluorescent lamps. These ballasts are part of an overall high-efficiency lighting system that may help you or your customers to achieve any international or local energy code you need to comply with. HF-Selectalume II TL-D ballasts are the ideal choice for a broad range of new construction and retrofit applications within the commercial sector, including general surface mounting or office lighting, parking garages, warehouses, waterproof and other applications. The ballast is primarily designed for Indoor application. For outdoor application, the luminaire should be minimum Classland need to be sufficiently protected against water & dust. The installation should also be guard against any lightening surge or any other necessary electrical protection as deemed in such typical installation & application.

Product data

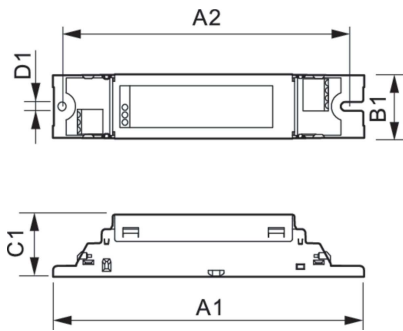
Operating and Electrical		Connector Type Output Terminals	WAGO 744 connector [Suitable for manual wiring]
Input Voltage	220 to 240 V		
Line Frequency	50 to 60 Hz		
Input Frequency	50 to 60 Hz		
Earth Leakage Current (Max)	0.5 mA		
Inrush Current Width	0.35 ms		
Inrush Current Peak (Max)	28 A		
Number of Products on MCB (16A Type B) (Nom)	12		
Wiring		Temperature	
Connector Type Input Terminals	WAGO 744 connector	T-Case Lifetime (Nom)	75 °C
		T-Case Maximum (Max)	75 °C
		Mechanical and Housing	
		Housing	L 280x30x28
		Ingress protection code	IP20 [Finger-protected]
		Net Weight (Piece)	0.193 kg
		Approval and Application	
		Energy Efficiency Index	A2 BAT

HF-Selectalume II for TL-D lamps

Approval Marks	F-Marking CE marking ENEC certificate CCC certificate C-Tick certificate PSB certification
	TISI marking SIRIM approval CB Certificate CCC certificate VDE-EMV certificate
	Ambient temperature range
	-20 °C to 50 °C
Product Data	
Order product name	HF-S 258 TL-D II 220-240V 50/60Hz
Full product name	HF-S 258 TL-D II 220-240V 50/60Hz

Full product code	872790089746300
Order code	913713032566
Material Nr. (12NC)	913713032566
Numerator - Quantity Per Pack	1
EAN/UPC - Product/Case	8711500999085
Numerator - Packs per outer box	12
EAN/UPC - Case	8727900897463

Dimensional drawing



Product	D1	C1	A1	A2	B1
HF-S 258 TL-D II 220-240V 50/60Hz	4.1 mm	28.0 mm	280.0 mm	265.0 mm	30.0 mm

