

# HID-HeavyDuty BSN semi-parallel for SON/CDO/MH/HPI

## BSN 400 L33-A2-TS 230V 50Hz HD3-166

Encapsulated electromagnetic copper/iron ballasts for use with an external semi-parallel ignitor for CDM, CDO, MH, HPI (Plus) and SON lamps

### Product data

Operating and Electrical	
Input Voltage	230 V
Line Frequency	50 Hz
Input Frequency	50 Hz

Wiring	
Connector Type	Screw

Mechanical and Housing	
Net Weight (Piece)	4.550 kg

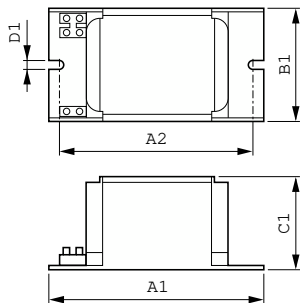
  

Approval and Application	
Approval Marks	CE marking ENEC certificate

Product Data	
Order product name	BSN 400 L33-A2-TS 230V 50Hz HD3-166
Full product name	BSN 400 L33-A2-TS 230V 50Hz HD3-166
Full product code	871150005976530
Order code	913700226926
Material Nr. (12NC)	913700226926
Numerator - Quantity Per Pack	1
EAN/UPC - Product/Case	8711500059765
Numerator - Packs per outer box	4
EAN/UPC - Case	8711500059772

# HID-HeavyDuty BSN semi-parallel for SON/CDO/MH/HPI

## Dimensional drawing



Product	D1	C1	A1	A2	B1
BSN 400 L33-A2-TS 230V 50Hz	6.2 mm	84.0 mm	166.0 mm	147.5 mm	102.0 mm
HD3-166					

