



MASTER LEDspot ExpertColor AR111



MAS LEDExpertColor 20-100W 930 AR111 24D

MASTER LEDspot LV ExpertColor creates a warm and comfortable ambience for hospitality venues, homes and restaurants. It creates such an ambience with superior lighting that has a customized spectrum, high CRI, and deep dimming feature. The result? A beautiful lighting experience. What's more, the innovative, trimless lens design will suit almost any interior decor with its clean and neat look. In addition, you can take advantage of the full ExpertColor family, which also includes LEDspot MV and LEDspot Par lamps.

Product data

General Information	
Cap-Base	G53
Nominal lifetime	40,000 hour(s)
Switching Cycle	50,000
Lighting Technology	LED
Flux measurement reference	Narrow Cone
Light Technical	
Color Code	930 [CCT of 3000K]
Beam Angle (Nom)	24 degree(s)
Luminous Flux	1,270 lm
Luminous Intensity (Nom)	4,200 cd
Color Designation	White (WH)
Correlated Color Temperature (Nom)	3000 K
Luminous Efficacy (rated) (Nom)	63 lm/W
Color Consistency	<4
Color rendering index (CRI)	95
LLMF At End Of Nominal Lifetime (Nom)	70 %

Luminous Flux in 90° Cone (Rated)	1,270 lm
Photobiological safety according to EN 62471	RG1
Operating and Electrical	
Line Frequency	50 to 60 Hz
Input Frequency	50 to 60 Hz
Power Consumption	20 W
Lamp Current (Nom)	2,000 mA
Wattage Equivalent	100 W
Starting Time (Nom)	0.5 s
Warm-up time to 60% light	0.5 s
Power Factor (Fraction)	0.7
Voltage (Nom)	12 V
Temperature	
T-Case Maximum (Nom)	77 °C

MASTER LEDspot ExpertColor AR111

Controls and Dimming

Dimmable	Only with specific dimmers
----------	----------------------------

Mechanical and Housing

Bulb Finish	Clear
Bulb Shape	AR111
Net Weight (Piece)	0.162 kg

Approval and Application

Energy Efficiency Class	G
Suitable For Accent Lighting	Yes
Energy Consumption kWh/1000 h	20 kWh
EPREL Registration Number	1122533
CE mark	Yes
EU RoHS compliant	Yes
EyeComfort	Yes
Flickering value (PstLM) - Flickering value as per EN 61000-3-3	1
Stroboscopic effect visibility measure (SVM)	1.5

Ambient temperature range	-20 °C to 45 °C
---------------------------	-----------------

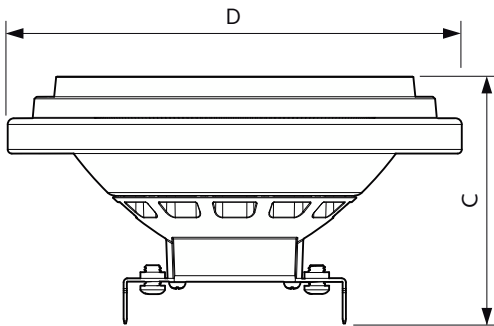
Application Conditions

can it be used in closed luminaires	No
-------------------------------------	----

Product Data

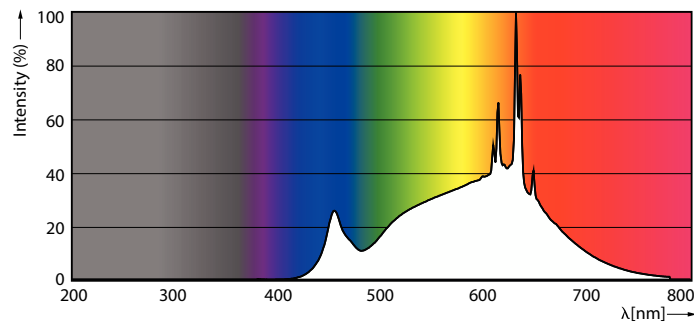
Order product name	MAS LEExpertColor 20-100W 930 AR111 24D
Full product name	MAS LEExpertColor 20-100W 930 AR111 24D
Full product code	871951442969700
Order code	929003478702
Material Nr. (12NC)	929003478702
Numerator - Quantity Per Pack	1
EAN/UPC - Product/Case	8719514429697
Numerator - Packs per outer box	6
EAN/UPC - Case	8719514429703

Dimensional drawing

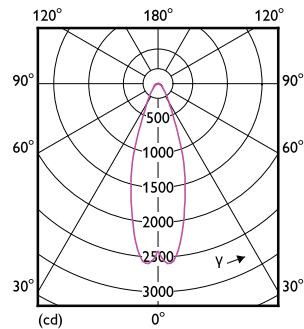


Product	D	C
MAS LEExpertColor 20-100W 930 AR111 24D	111 mm	62 mm

Photometric data



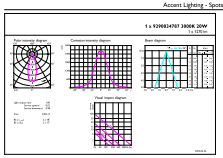
Spectral Power Distribution Colour - MAS LEExpertColor 20-100W 930 AR111 24D



Light Distribution Diagram - MAS LEExpertColor 20-100W 930 AR111 24D

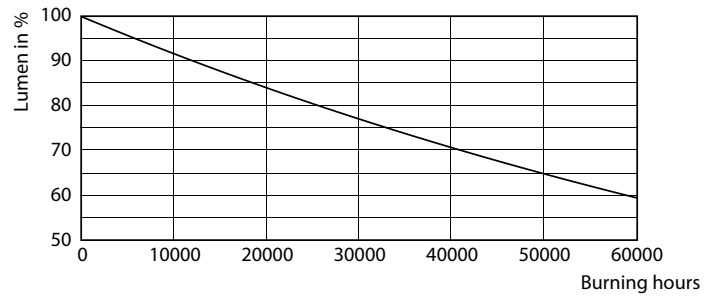
MASTER LEDspot ExpertColor AR111

Photometric data



Accent Lighting Spots - MAS LEDExpertColor 20-100W 930 AR111 24D

Lifetime



Life Expectancy Diagram

Lumen Maintenance Diagram - MAS LEDExpertColor 20-100W 930 AR111 24D

