



MASTER VALUE LEDs pot LV



MAS LED SPOT VLE D 7.5-50W MR16 940 60D

Philips MASTER VALUE MR16 is the series of Low Voltage (12VAC) Halogen MR16 replacements. Not only does it employ Philips' patented solution to guarantee the broadest possible compatibility with standard 12V Halogen electronic transformers. It also delivers beam intensity which is equivalent to the 50W Philips Halogen MR16 lamps. The form-factor of Philips MASTER Value LED MR16 guarantees a 100% form on the back-side of the lamp (exact form with Halogen lamps.)

Warnings and Safety

- Operating temperature range is between -20° C and 45° C ambient
- Only to apply in dry or damp locations and most of open fixtures with lamp-holders that offer sufficient space (10 mm free air space)
- Not intended for use with emergency light fixtures or exit lights

Product data

General Information	
Cap-Base	GU5.3
Nominal lifetime	25,000 hour(s)
Switching Cycle	50,000
Lighting Technology	LED
Flux measurement reference	Narrow Cone

Light Technical	
Color Code	940 [CCT of 4000K]
Beam Angle (Nom)	60 degree(s)
Luminous Flux	660 lm
Luminous Intensity (Nom)	770 cd
Color Designation	Cool White (CW)

Correlated Color Temperature (Nom)	4000 K
Luminous Efficacy (rated) (Nom)	88.00 lm/W
Color Consistency	<6
Color rendering index (CRI)	90
LLMF At End Of Nominal Lifetime (Nom)	70 %
Luminous Flux in 90° Cone (Rated)	660 lm
Photobiological safety according to EN 62471	RG1

Operating and Electrical	
Line Frequency	- Hz
Input Frequency	- Hz
Power Consumption	7.5 W
Lamp Current (Nom)	660 mA

MASTER VALUE LEDspot LV

Wattage Equivalent	50 W
Starting Time (Nom)	0.5 s
Warm-up time to 60% light	0.5 s
Power Factor (Fraction)	0.7
Voltage (Nom)	ac electronic 12 V

Temperature

T-Case Maximum (Nom)	95 °C
----------------------	-------

Controls and Dimming

Dimmable	Only with specific dimmers
----------	----------------------------

Mechanical and Housing

Bulb Shape	MR16
Net Weight (Piece)	0.045 kg

Approval and Application

Energy Efficiency Class	F
Suitable For Accent Lighting	Yes
Energy Consumption kWh/1000 h	8 kWh
EPREL Registration Number	453185

CE mark	Yes
EU RoHS compliant	Yes
EyeComfort	Yes

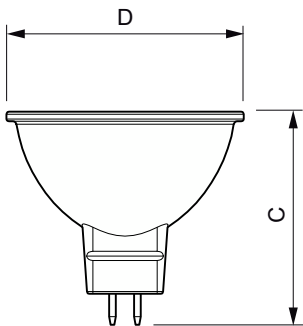
Application Conditions

can it be used in closed luminaires	No
-------------------------------------	----

Product Data

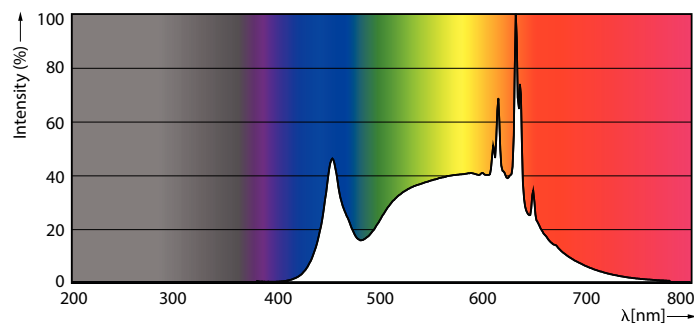
Order product name	MAS LED SPOT VLE D 7.5-50W MR16 940 60D
Full product name	MAS LED SPOT VLE D 7.5-50W MR16 940 60D
Full product code	871951430742100
Order code	929002493702
Material Nr. (12NC)	929002493702
Numerator - Quantity Per Pack	1
EAN/UPC - Product/Case	8719514307421
Numerator - Packs per outer box	10
EAN/UPC - Case	8719514307438

Dimensional drawing

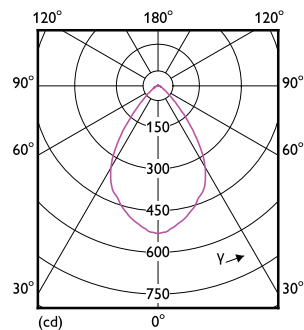


Product	D	C
MAS LED SPOT VLE D 7.5-50W MR16 940 60D	50.5 mm	45.5 mm

Photometric data



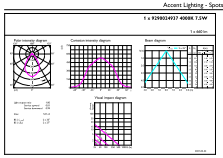
Spectral Power Distribution Colour - MAS LED SPOT VLE D 7.5-50W MR16 940 60D



Light Distribution Diagram - MAS LED SPOT VLE D 7.5-50W MR16 940 60D

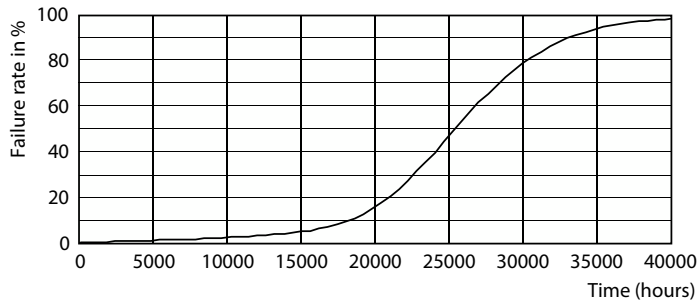
MASTER VALUE LEDspot LV

Photometric data

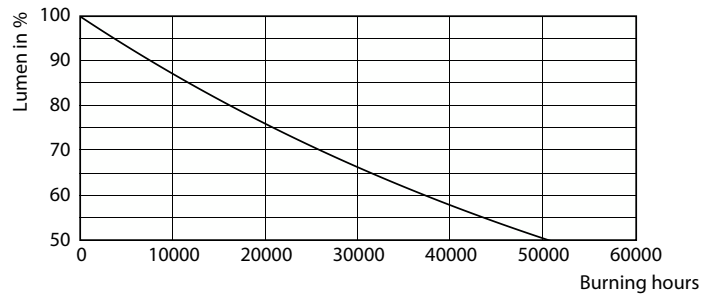


Accent Lighting Spots - MAS LED SPOT VLE D 7.5-50W MR16 940 60D

Lifetime



Life Expectancy Diagram



Lumen Maintenance Diagram - MAS LED SPOT VLE D 7.5-50W MR16 940 60D

