

Product data sheet

Specifications



Male, M12, 4 pin, elbowed connector, cable gland Pg 7

XZCC12MCM40B

Main

Range of product	Telemecanique Cabling components
Accessory / separate part category	Cabling accessories
Accessory / separate part type	Connector
Electrical connection	Elbowed male connector M12, 4 pins
Collar material	Metal
Status LED	Without
Cable connection	Screw terminal / wire size <math><0.75 \text{ mm}^2</math> / clamping capacity 3...6 mm

Complementary

Cable gland type	Pg 7
Cable connector fixing	Screw-on
[Ue] rated operational voltage	125 V AC 150 V DC
[In] rated current	3 A
Enclosure material	Plastic
Minimum insulating resistance	1000 G Ω
Contact resistance	8000 μOhm
Net weight	0.025 kg

Environment

IP degree of protection	IP67
Ambient air temperature for operation	-40...85 °C

Packing Units

Unit Type of Package 1	PCE
Number of Units in Package 1	1
Package 1 Weight	26 g
Package 1 Height	3 cm
Package 1 width	5 cm

Package 1 Length	11 cm
Unit Type of Package 2	S02
Number of Units in Package 2	100
Package 2 Weight	2.996 kg
Package 2 Height	15 cm
Package 2 width	30 cm
Package 2 Length	40 cm

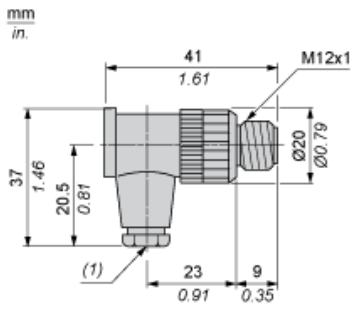
Offer Sustainability

REACH Regulation	REACH Declaration
EU RoHS Directive	Pro-active compliance (Product out of EU RoHS legal scope) EU RoHS Declaration
Mercury free	Yes
RoHS exemption information	Yes
California proposition 65	WARNING: This product can expose you to chemicals including: Diisononyl phthalate (DINP), which is known to the State of California to cause cancer, and Di-isodecyl phthalate (DIDP), which is known to the State of California to cause birth defects or other reproductive harm. For more information go to www.P65Warnings.ca.gov

Contractual warranty

Warranty	18 months
----------	-----------

Dimensions



(1) Cable gland : no. 7 plastic (Pg 7)

Connections and Schemes

