

# Product data sheet

Specifications



## Latching emergency stop rope pull switch, Telemecanique rope pull switches XY2C, e XY2CJ, straight, 1NC+1 NO, Pg13.5

XY2CJS15

### Main

Range of product	Telemecanique Emergency stop rope pull switches XY2C
Product or component type	Latching emergency stop rope pull switch
Device short name	XY2C
Housing colour	Red RAL 3000
Overvoltage category	Class I conforming to EN/IEC 61140

### Complementary

Local signalling	Color indicator
Number of cables	1
Trigger cable maximum length	20 m
Body material	Zamak
Head material	PA (polyamide)
Cover material	Galvanised steel
Reset	By pull button
Contacts type and composition	1 NC + 1 NO
Contact operation	Slow-break
Trigger cable anchor point	RH or LH side
Connections - terminals	Screw clamp terminal, 1 x 0.5...2 x 1.5 mm <sup>2</sup>
Tightening torque	0.8...1.2 N.m
Cable entry number	1 tapped entry for Pg 13.5 cable gland
Safety level	Can reach PL = e with the appropriate monitoring system and correctly wired conforming to EN/ISO 13849-1 Can reach category 4 with the appropriate monitoring system and correctly wired conforming to EN/ISO 13849-1 Can reach SIL 3 with the appropriate monitoring system and correctly wired conforming to EN/IEC 61508
Safety reliability data	B10d = 500000 conforming to IEC 60947-5-5 value given for a life time of 20 years limited by mechanical or contact wear
Marking	CE
Mechanical durability	100000 cycles
Distance between cable supports	5 m
[Ie] rated operational current	3 A at 240 V, AC-15, A300 conforming to EN/IEC 60947-5-1 appendix A

<b>[Ithe] conventional enclosed thermal current</b>	10 A
<b>[Ui] rated insulation voltage</b>	500 V (pollution degree 3) conforming to EN/IEC 60947-1 300 V conforming to UL 508 300 V conforming to CSA C22.2 No 14
<b>[Uimp] rated impulse withstand voltage</b>	6 kV conforming to EN/IEC 60947-1
<b>Positive opening</b>	With conforming to EN/IEC 60947-5-1
<b>Maximum resistance across terminals</b>	25 MOhm conforming to EN/IEC 60255-7 category 3 25 MOhm conforming to NF C 93-050 method A
<b>Short-circuit protection</b>	10 A cartridge fuse type gG conforming to EN/IEC 60269
<b>Terminals description ISO n°1</b>	(13-14)NO (21-22)NC
<b>Net weight</b>	0.455 kg
<b>Compatibility code</b>	XY2CJ

## Environment

<b>Standards</b>	CSA C22.2 No 14 Machinery directive 2006/42/EC EN/IEC 60947-5-5 Work equipment directive 2009/104/EC EN/IEC 60947-5-1 EN/ISO 13850 EN/IEC 60204-1 UL 508
<b>Product certifications</b>	UL category NISD emergency stop devices CSA CCC EAC
<b>Protective treatment</b>	TC
<b>Ambient air temperature for operation</b>	-25...70 °C
<b>Ambient air temperature for storage</b>	-40...70 °C
<b>Vibration resistance</b>	10 gn (f= 10...150 Hz) conforming to EN/IEC 60068-2-6
<b>Shock resistance</b>	50 gn 11 ms conforming to EN/IEC 60068-2-27
<b>IP degree of protection</b>	IP66 conforming to IEC 60529 IP67 conforming to IEC 60529

## Packing Units

<b>Unit Type of Package 1</b>	PCE
<b>Number of Units in Package 1</b>	1
<b>Package 1 Weight</b>	520 g
<b>Package 1 Height</b>	7.3 cm
<b>Package 1 width</b>	24.6 cm
<b>Package 1 Length</b>	5.6 cm

## Offer Sustainability

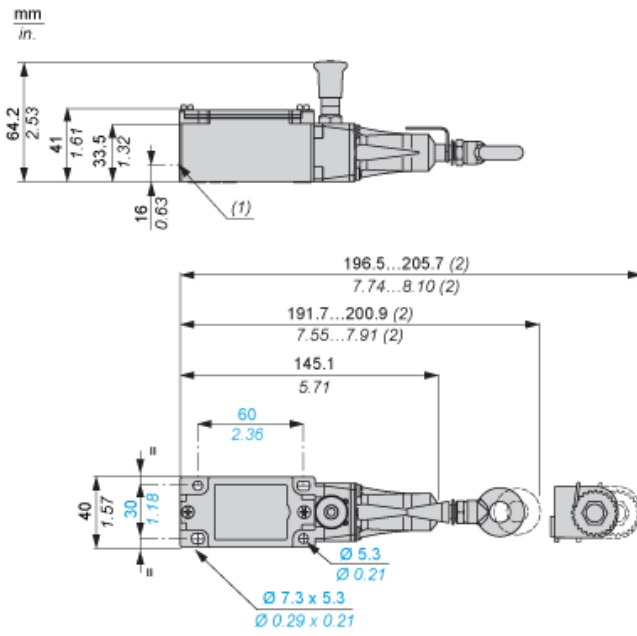
<b>Sustainable offer status</b>	Green Premium product
<b>REACH Regulation</b>	<a href="#">REACH Declaration</a>
<b>EU RoHS Directive</b>	Pro-active compliance (Product out of EU RoHS legal scope) <a href="#">EU RoHS Declaration</a>
<b>Mercury free</b>	Yes

---

<b>RoHS exemption information</b>	<a href="#">Yes</a>
<b>Environmental Disclosure</b>	<a href="#">Product Environmental Profile</a>
<b>California proposition 65</b>	WARNING: This product can expose you to chemicals including: Diisononyl phthalate (DINP), which is known to the State of California to cause cancer, and Di-isodecyl phthalate (DIDP), which is known to the State of California to cause birth defects or other reproductive harm. For more information go to <a href="http://www.P65Warnings.ca.gov">www.P65Warnings.ca.gov</a>

---

Dimensions

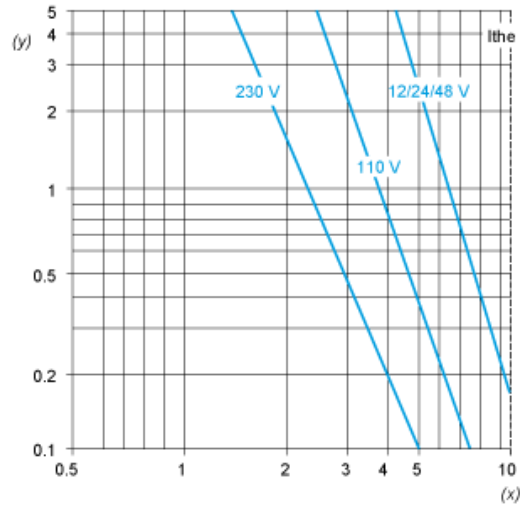


- (1) Tapped entry for n° 13 (Pg 13.5) cable entry  
(2) Maximum extension.

**Electrical Curves**

**AC Supply 50/60 Hz Inductive Circuit**

2-pole Contact Block



Y Millions of operating cycles  
X Current in A

**DC Supply Power Broken in for 1 Million Operating Cycles Inductive Circuit**

Voltage	V	24	48	120
<i>mm</i>	W	13	9	7